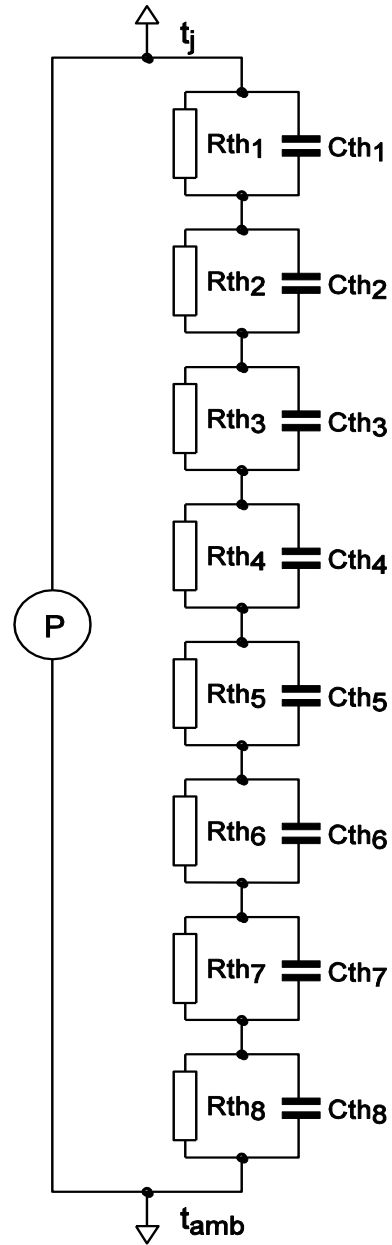


## SPICE thermal model

PSMN3R5-25MLD

Symbol	Parameter	Conditions	Min	Typ	Max	Unit
$R_{th(j-mb)}$	thermal resistance from junction to mounting base		-	-	2.32	K/W

$C_{th1}$	1.709E-05 F
$C_{th2}$	1.167E-04 F
$C_{th3}$	1.739E-04 F
$C_{th4}$	9.214E-04 F
$C_{th5}$	2.288E-03 F
$C_{th6}$	4.135E-03 F
$C_{th7}$	8.240E-02 F
$C_{th8}$	1.172E+02 F
$R_{th1}$	3.895E-03 $\Omega$
$R_{th2}$	8.122E-03 $\Omega$
$R_{th3}$	4.540E-02 $\Omega$
$R_{th4}$	1.121E-01 $\Omega$
$R_{th5}$	4.235E-01 $\Omega$
$R_{th6}$	1.414E+00 $\Omega$
$R_{th7}$	3.109E-01 $\Omega$
$R_{th8}$	3.047E-03 $\Omega$



Part: PSMN3R5-25MLD  
 Date: 21/3/2016  
 Model Rth 2.32 K/W